

# NEWPORT

GLASS SHOWER ENCLOSURE BARN DOOR

## SLIDING ROLLER LAYOUT

### ELEVATION

Newport System is interchangeable for 'Left' and 'Right' applications

Standard 3/8" (10mm) Clear Temp. Glass

### FINISH

Chrome Polished/Satin Brushed/Black

### PULL

ACM06312BTB

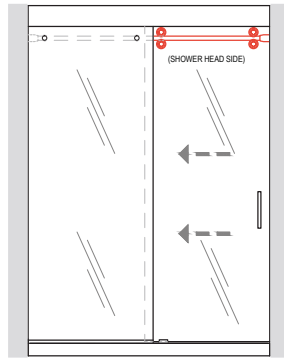
ACHU6308BTB (Optional)



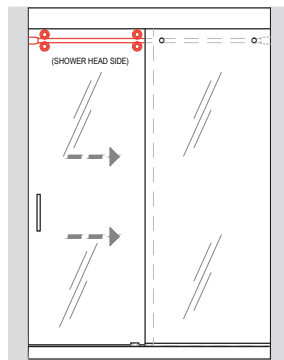
### FACE-MOUNTED TROLLEY



## OPTIONS

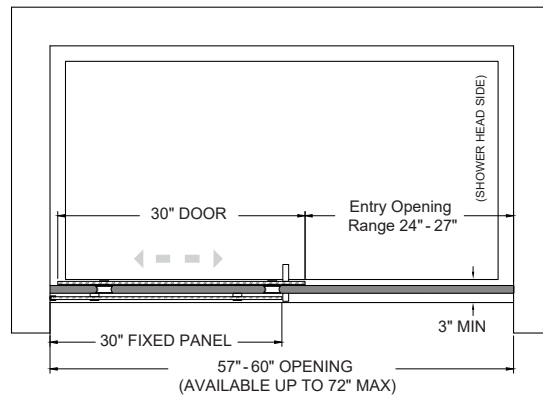
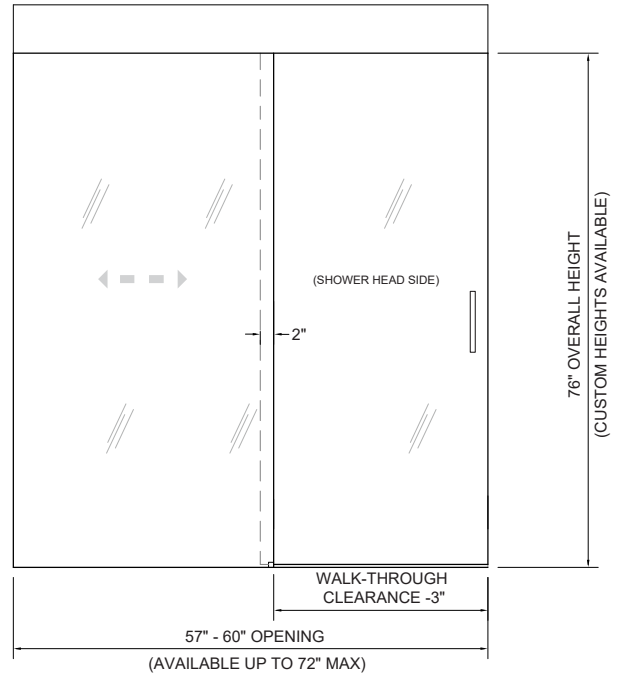


RIGHT SLIDING



LEFT SLIDING

## ELEVATION



MPL Company

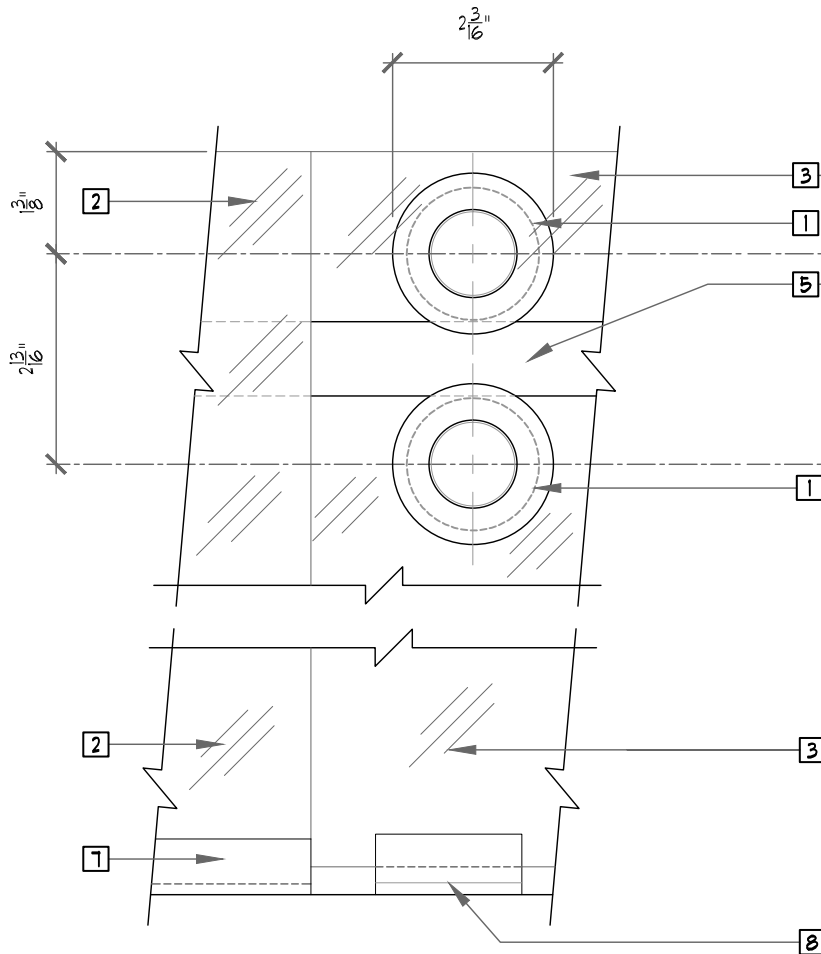
0. 317-835-9000

E. CustomerService@MPLCompany.net

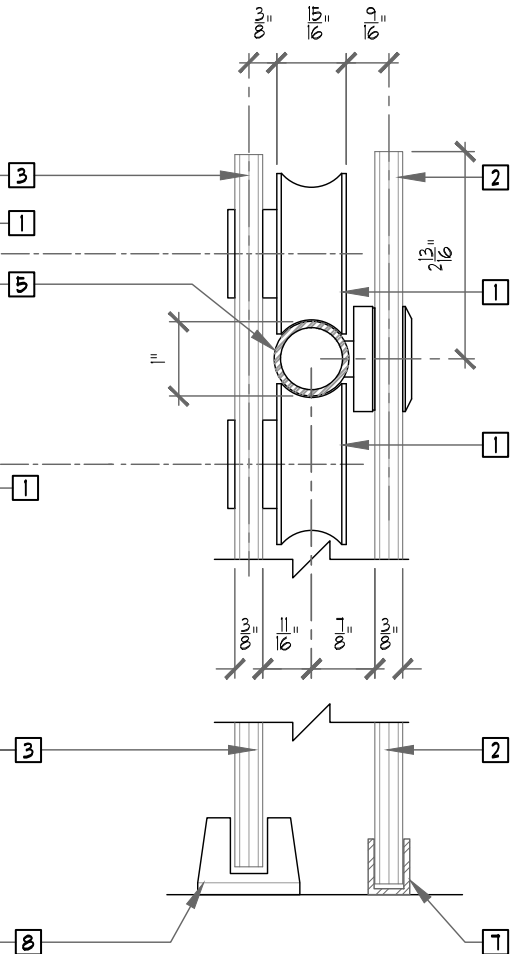
203 N. Edgerton Street  
Fairland, IN 46126

# NEWPORT SERIES

## ELEVATION



## CROSS SECTION



## KEYNOTES

- 1 Roller
- 2 Fixed Glass Panel
- 3 Sliding Glass Door
- 4 Track Holder Fitting for Fixed Panel
- 5 Header Support Bar
- 6 Anti-Lift Fitting
- 7 U-channel for Fixed Glass Panel
- 8 Floor Guide for Glass Door Panel