

27" or 30" Foot Rest

Specifications

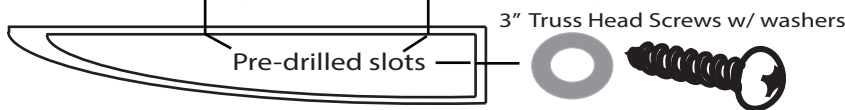
- Model: 27" or 30" Foot Rest
- Length 27" or 30"
- Finish: Glossy or Matte
- Textured Non-Slip Finish
- Thickness: 1 1/2"
- Material: Cultured Marble
- Pre-drilled Mounting Holes
 - Includes: 3 - #10 SS Truss Head Sheet Metal Screws to be used with Blocking
 - Option: 3 - MAW 35-SD Wing its - Use When Blocking is Unavailable



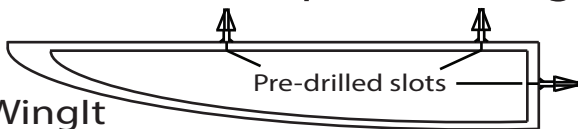
Standard Features

- Permanently Sealed Surface
- Extremely Sanitary
- Water Proof and Leak Proof
- Bacteria Resistant
- Easy to Install
- Maintenance Free
- Made in the USA

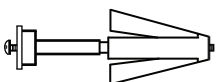
Bottom View (Included Screws)



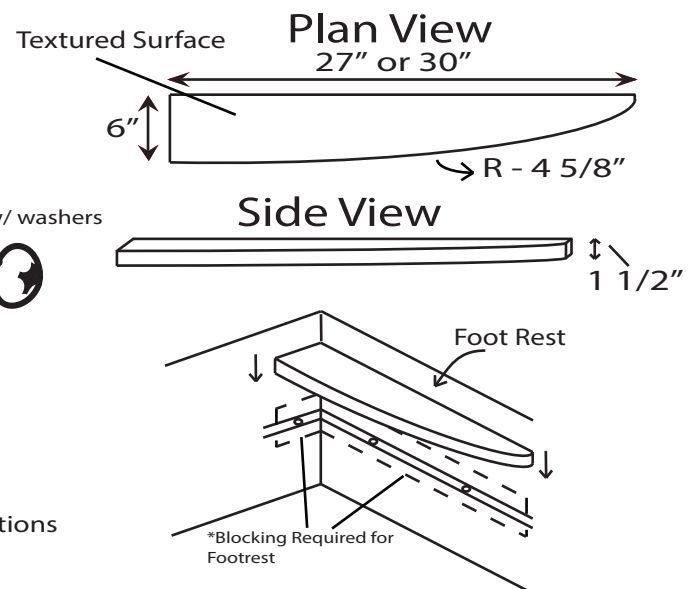
Bottom View (Optional Wingits)



WingIt
Model # MAWSD35



*Wingits provided as an option for renovations or whenever blocking is not available



To review color options for this product please contact your Sales Representative or refer to our website at:

www.mplcompany.net/request-color